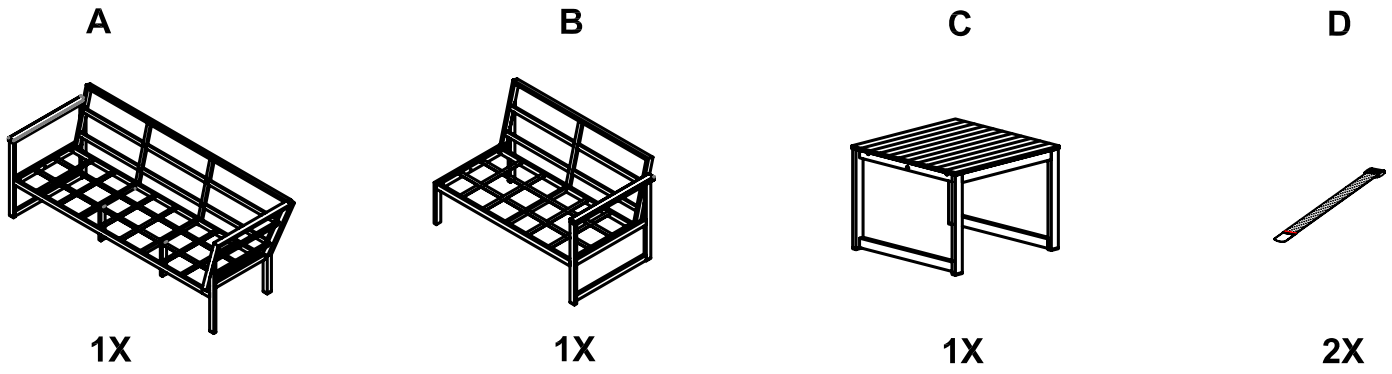
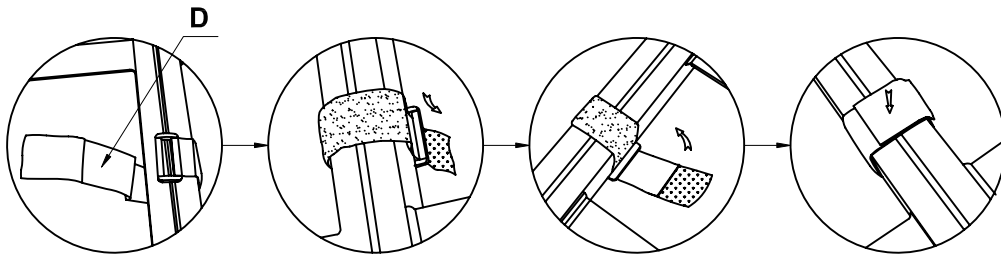
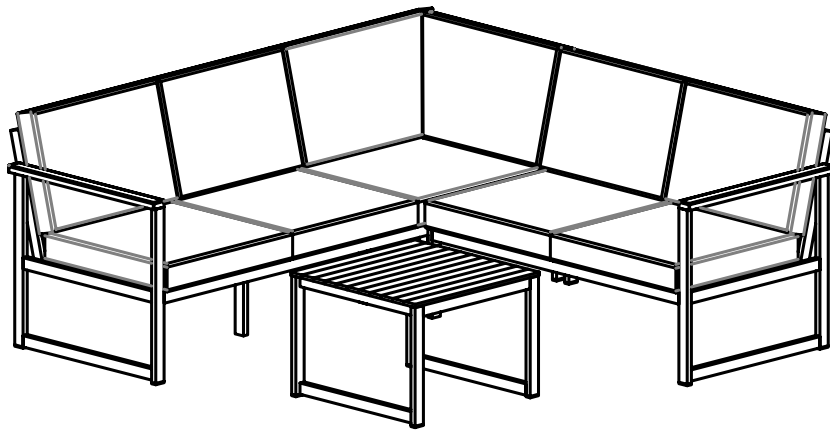


Assembly Instructions



1.



2.

