

# Model: DW505-5DIN

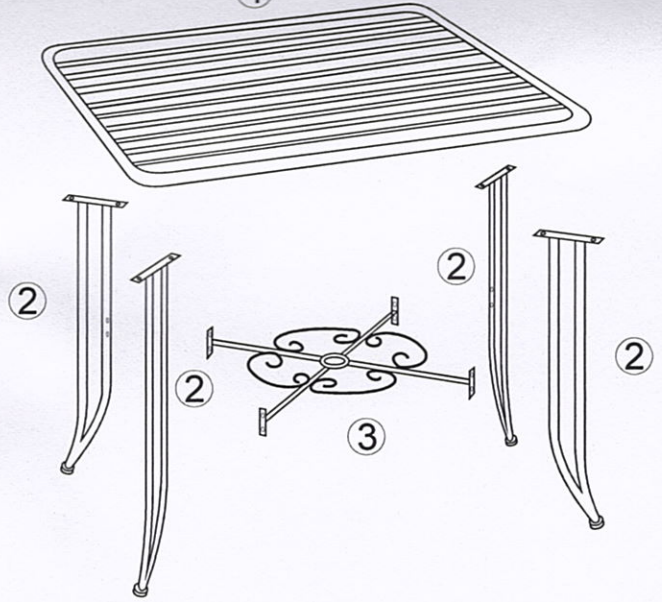
## ASSEMBLY INSTRUCTIONS



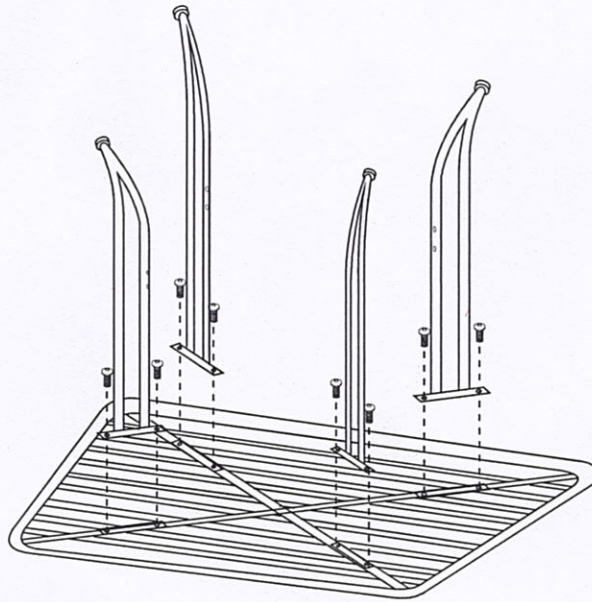
Ax16  
(6x15mm)



Bx1  
(4mm)

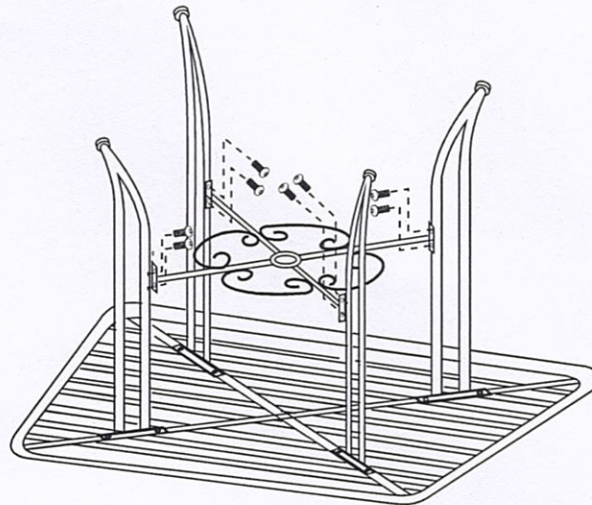


1



Ax8

2



Ax8

