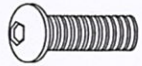


Model: DW501-ROC

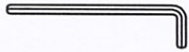
ASSEMBLY INSTRUCTIONS



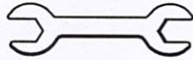
Ax10
(6x12mm)



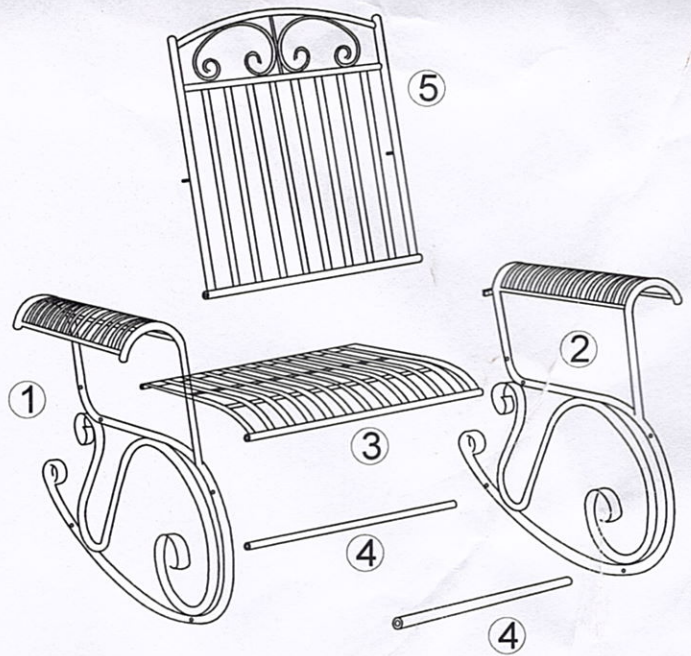
Bx2
(Φ8mm)



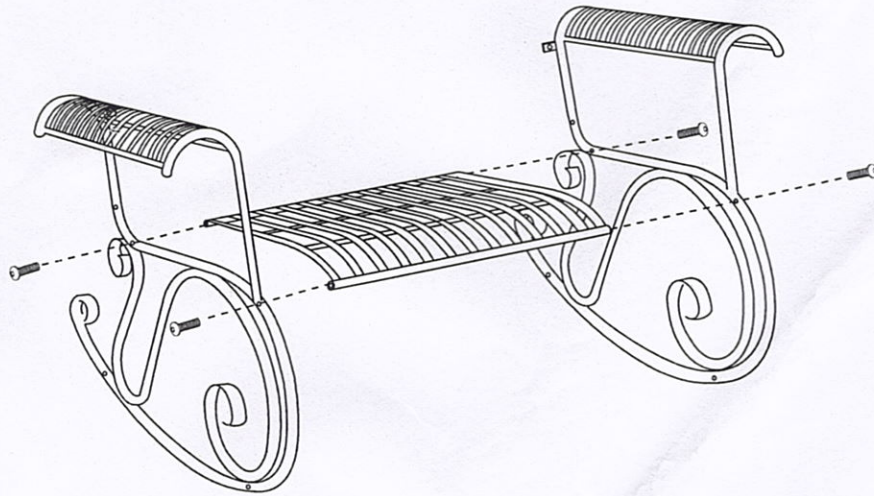
Cx1
(4mm)



Dx1
(8mm)

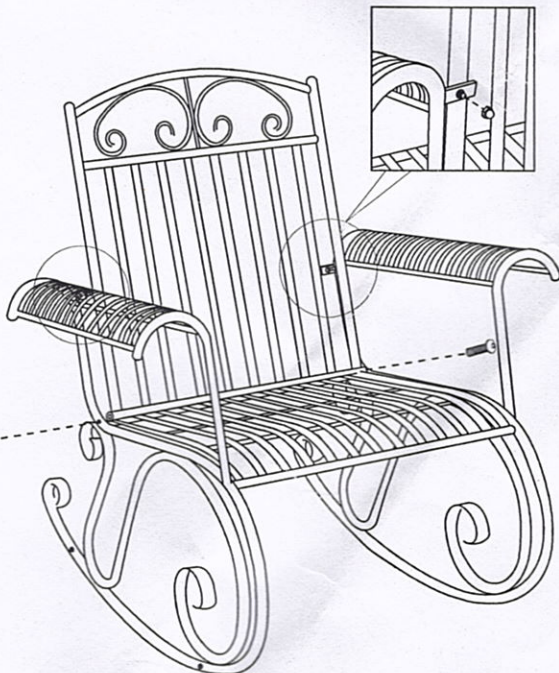


1



Ax4

2

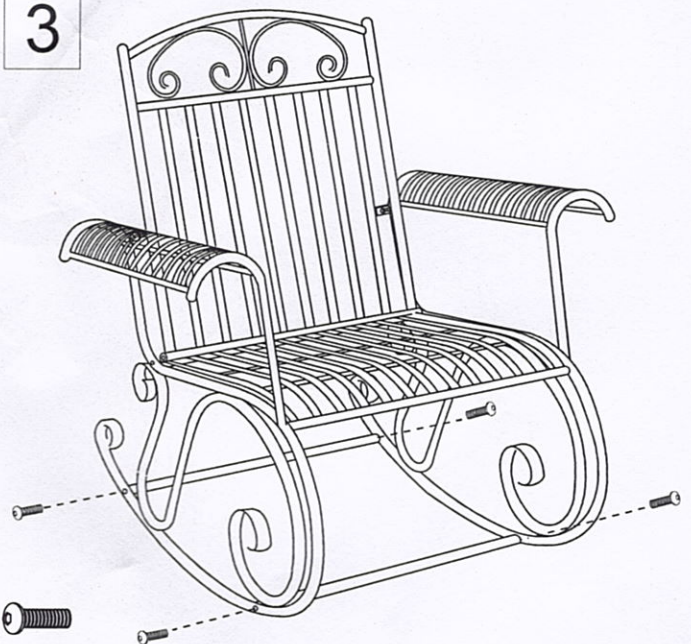


Ax2



Bx2

3



Ax4