

Model: DW502-ET

ASSEMBLY INSTRUCTIONS



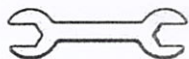
Ax12
(6x12mm)



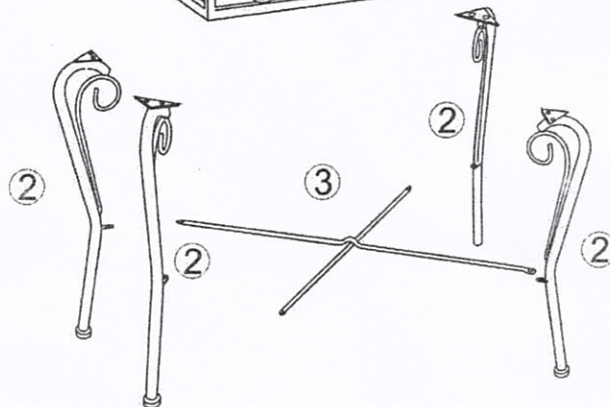
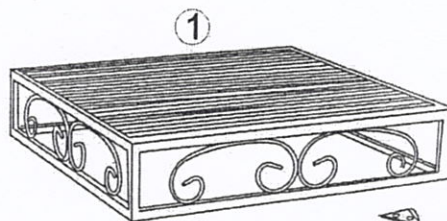
Bx4
(Φ6mm)



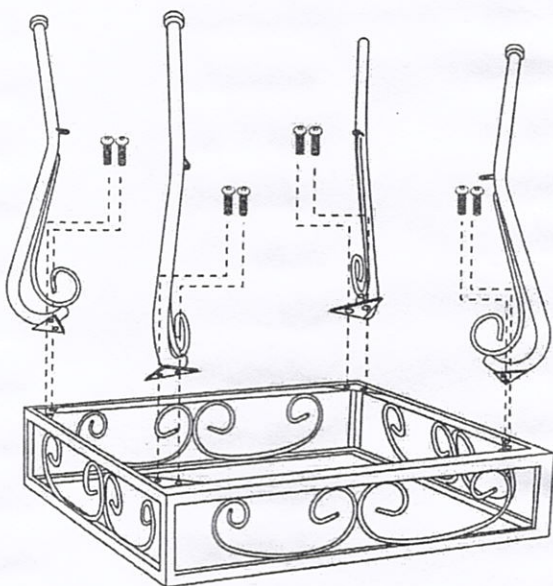
Cx1
(4mm)



Dx1
(6mm)



1



Ax8

2



Ax4



Bx4